

flameguard<sup>®</sup>

flameguard<sup>®</sup> Plus

## Contents

---

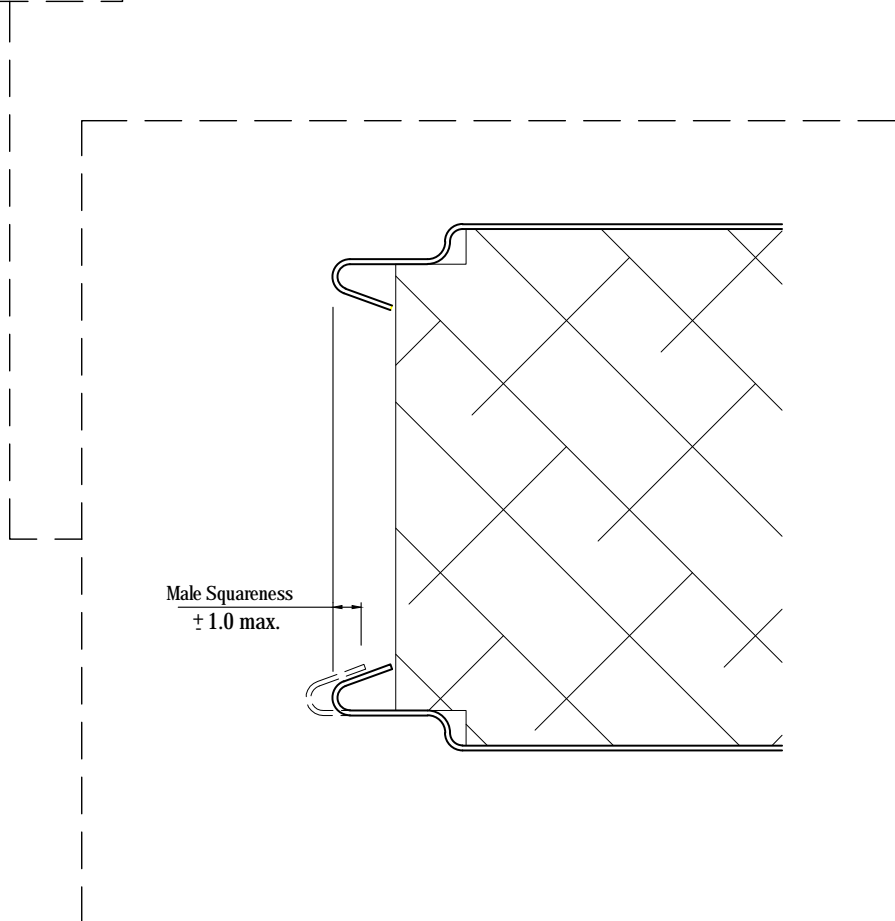
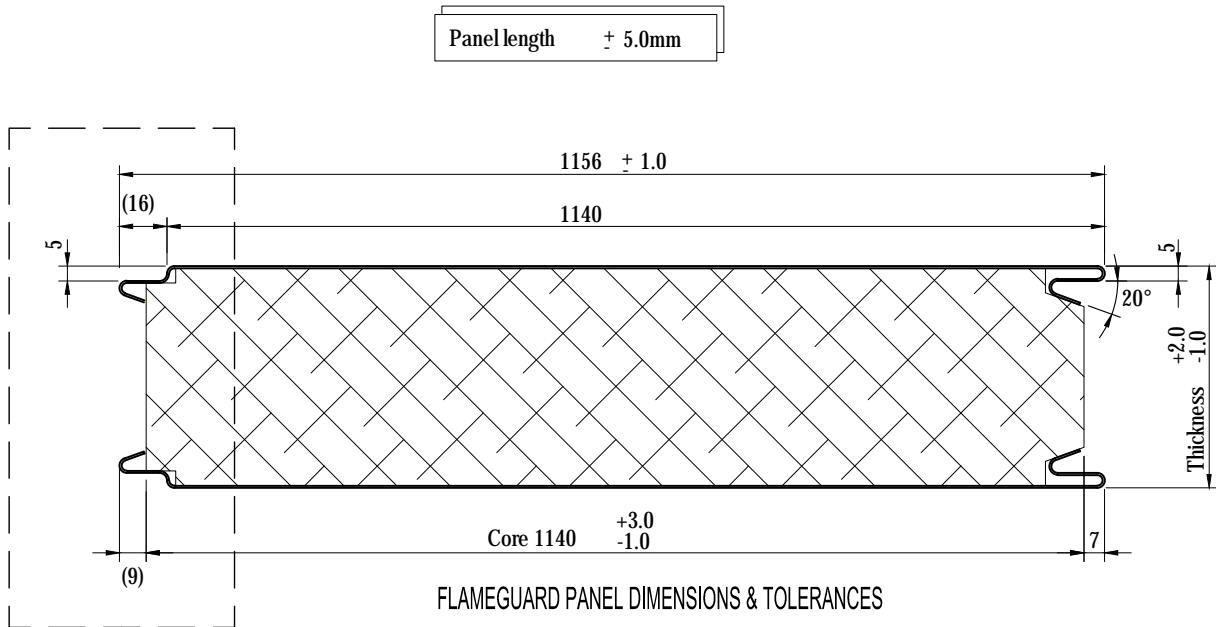
### Flameguard® Standard Construction

---

Panel Details - FLA07-PD01-2 .....	3
Vertical Joint Detail Type 'A' - FLA01-OW01-1 .....	4
Vertical Panel Joint Type 'B' - FLA01-OW02-1 .....	5
Vertical Panel Joint Type 'C' - FLA01-OW03-1 .....	6
Parapet Details - FLA01-OW07-1 .....	7
Head Detail (over windows) - FLA01-OW08-1 .....	8
External Wall Barge Detail 'A' - FLA01-OW011-1 .....	9
External Wall Barge Detail 'B' - FLA01-OW012-1 .....	10
Base Detail 'A' - FLA01-WF01-1 .....	11
Base Detail 'B' - FLA01-WF02-1 .....	12
Base Detail 'D' - FLA01-WF04-1 .....	13
External Corner - FLA01-WW01-1 .....	14
Typical External Corner - FLA01-WW02-1 .....	15

## Panel Details - FLA07-PD01-2

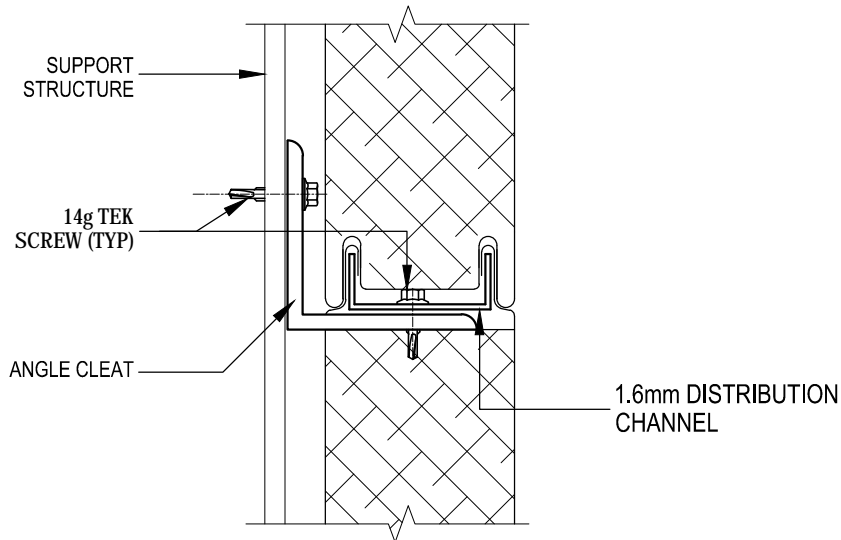
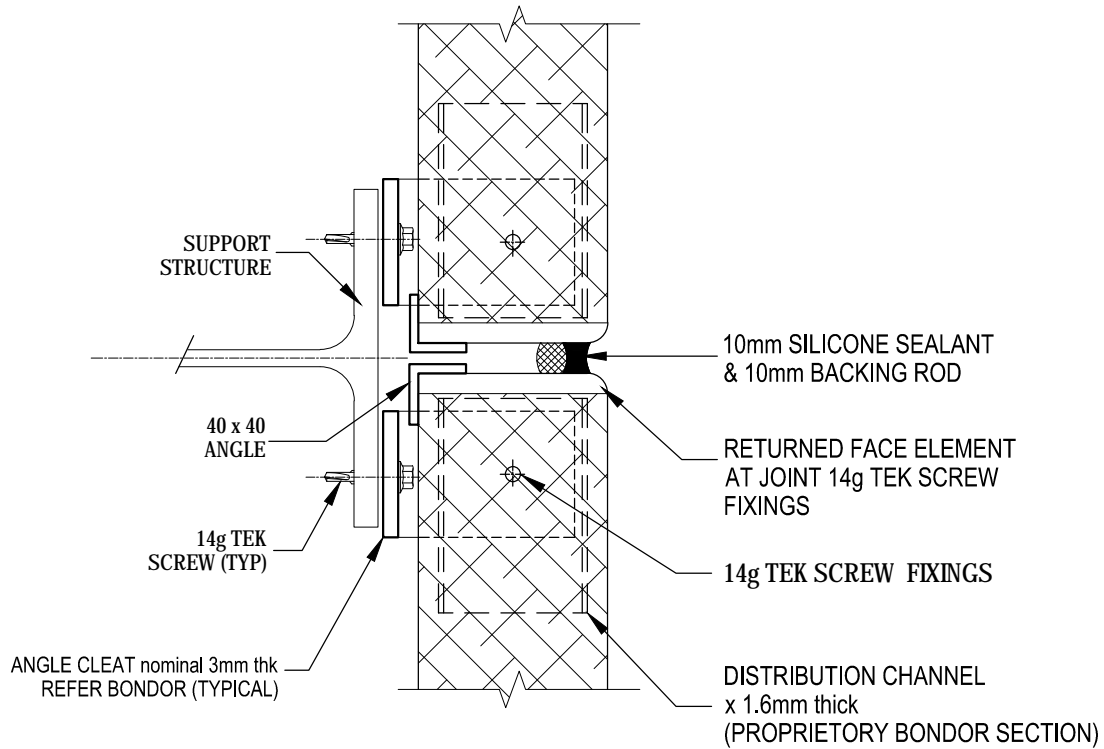
### Horizontal Cladding



- Note:
- It is recommended to engage your local Bondor® architectural specialist at design stage to ensure the panel system is designed to suit specific project requirements.
  - All exposed core material is to be encapsulated with a non-combustible covering in order to achieve BAL ratings of up to BAL-40.
  - Panels by Bondor®, screws may be by Bondor®, all other items by others.
  - Additional construction details are available through the Bondor® Website Client Portal or by contacting a local Bondor® representative. [www.bondor.com.au](http://www.bondor.com.au)
  - This drawing is copyright and the property of Metecno Pty Limited trading as Bondor®. It is subject to their legal recall and may not be reproduced or its contents divulged without written authority.

## Vertical Joint Detail Type 'A' - FLA01-0W01-1

### Horizontal Cladding



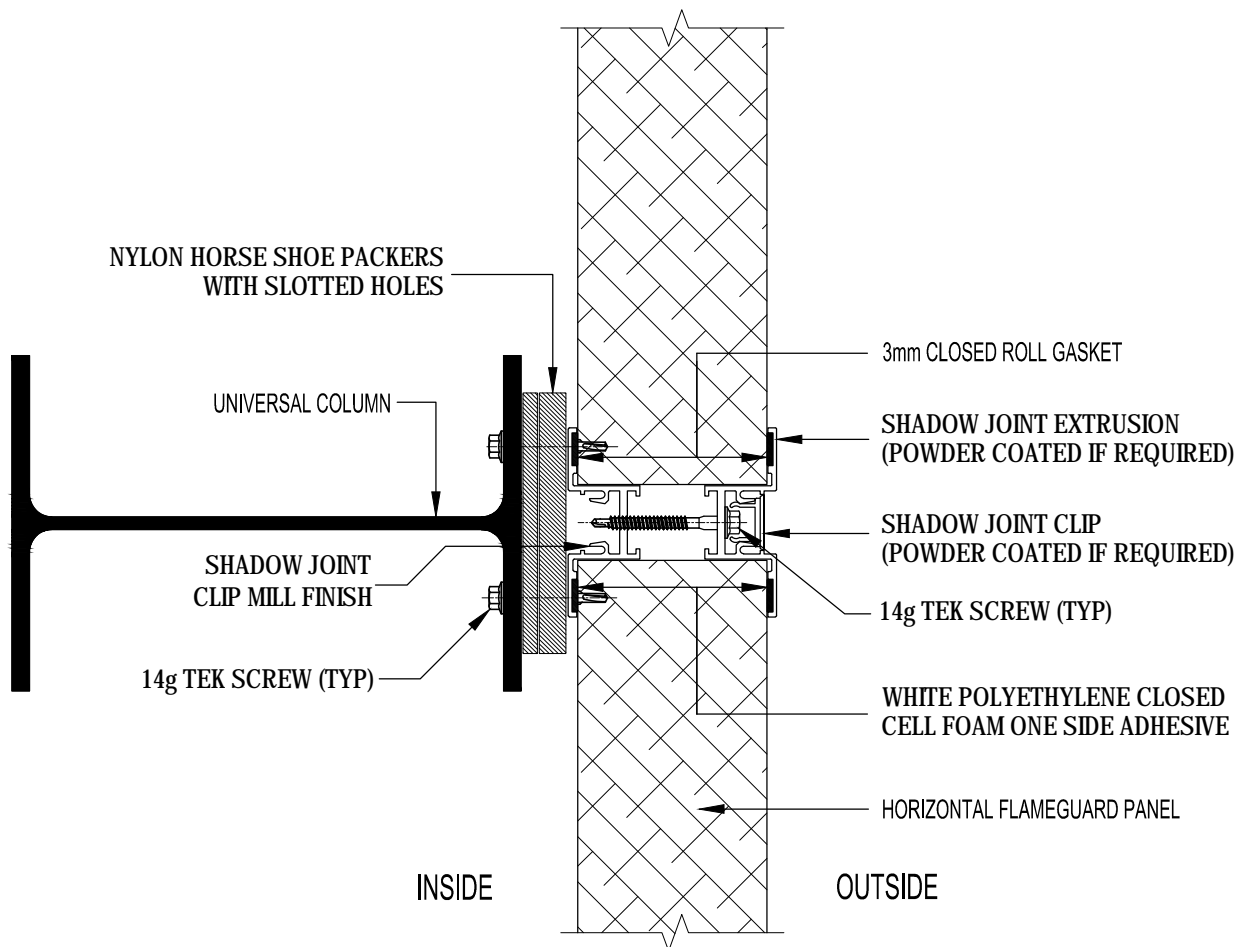
**PLAN VIEW**

**Note:**

- It is recommended to engage your local Bondor® architectural specialist at design stage to ensure the panel system is designed to suit specific project requirements.
- All exposed core material is to be encapsulated with a non-combustible covering in order to achieve BAL ratings of up to BAL-40.
- Panels by Bondor®, screws may be by Bondor®, all other items by others.
- Additional construction details are available through the Bondor® Website Client Portal or by contacting a local Bondor® representative. [www.bondor.com.au](http://www.bondor.com.au)
- This drawing is copyright and the property of Metecno Pty Limited trading as Bondor®. It is subject to their legal recall and may not be reproduced or its contents divulged without written authority.

## Vertical Panel Joint Type 'B' - FLA01-0W02-1

### Horizontal Cladding

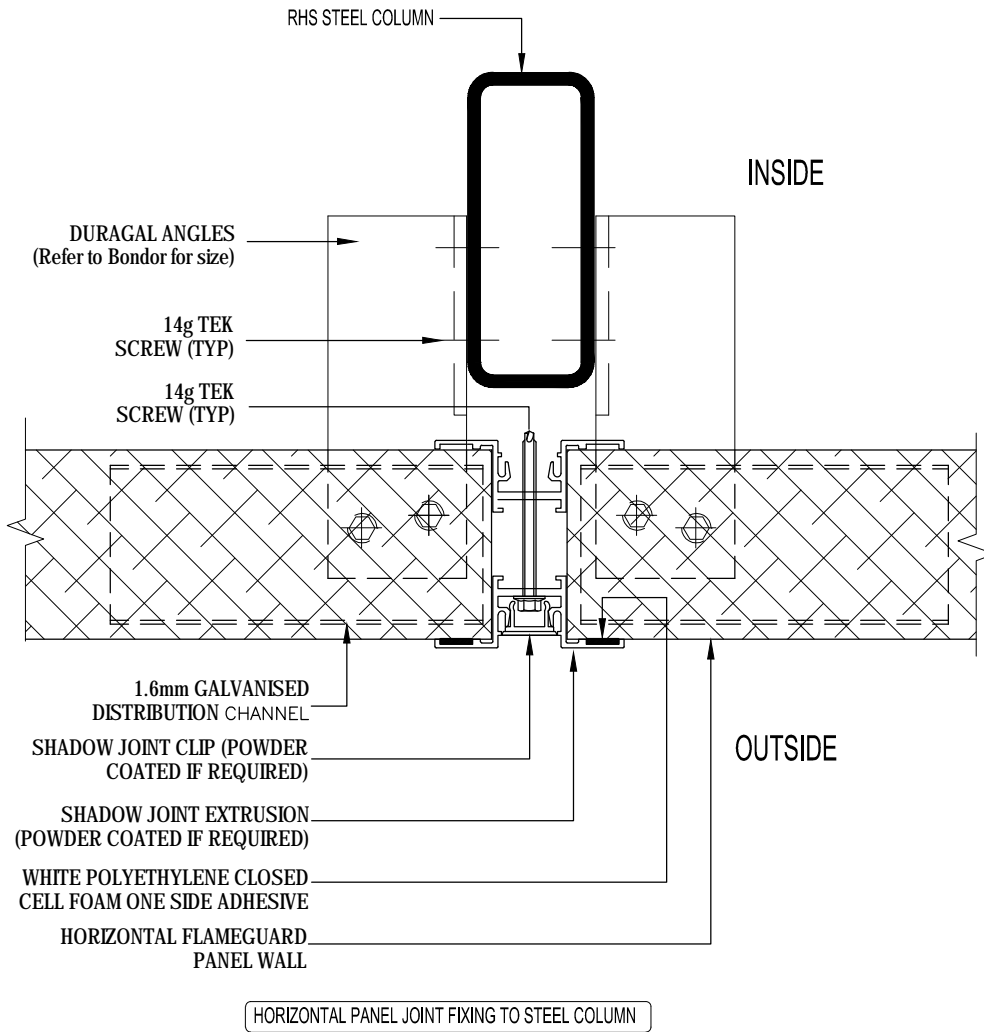


**Note:**

- It is recommended to engage your local Bondor® architectural specialist at design stage to ensure the panel system is designed to suit specific project requirements.
- All exposed core material is to be encapsulated with a non-combustible covering in order to achieve BAL ratings of up to BAL-40.
- Panels by Bondor®, screws may be by Bondor®, all other items by others.
- Additional construction details are available through the Bondor® Website Client Portal or by contacting a local Bondor® representative. [www.bondor.com.au](http://www.bondor.com.au)
- This drawing is copyright and the property of Metecno Pty Limited trading as Bondor®. It is subject to their legal recall and may not be reproduced or its contents divulged without written authority.

## Vertical Panel Joint Type 'C' - FLA01-0W03-1

### Horizontal Cladding

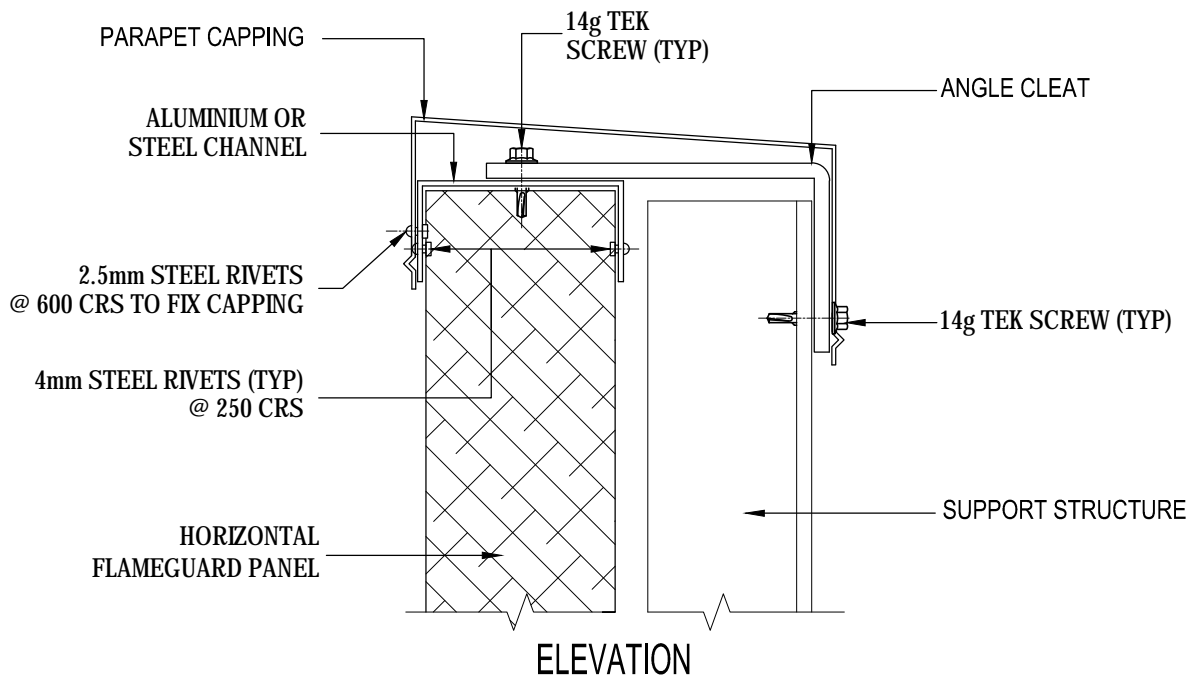


**Note:**

- It is recommended to engage your local Bondor® architectural specialist at design stage to ensure the panel system is designed to suit specific project requirements.
- All exposed core material is to be encapsulated with a non-combustible covering in order to achieve BAL ratings of up to BAL-40.
- Panels by Bondor®, screws may be by Bondor®, all other items by others.
- Additional construction details are available through the Bondor® Website Client Portal or by contacting a local Bondor® representative. [www.bondor.com.au](http://www.bondor.com.au)
- This drawing is copyright and the property of Metecno Pty Limited trading as Bondor®. It is subject to their legal recall and may not be reproduced or its contents divulged without written authority.

## Parapet Details - FLA01-0W07-1

### Horizontal Cladding

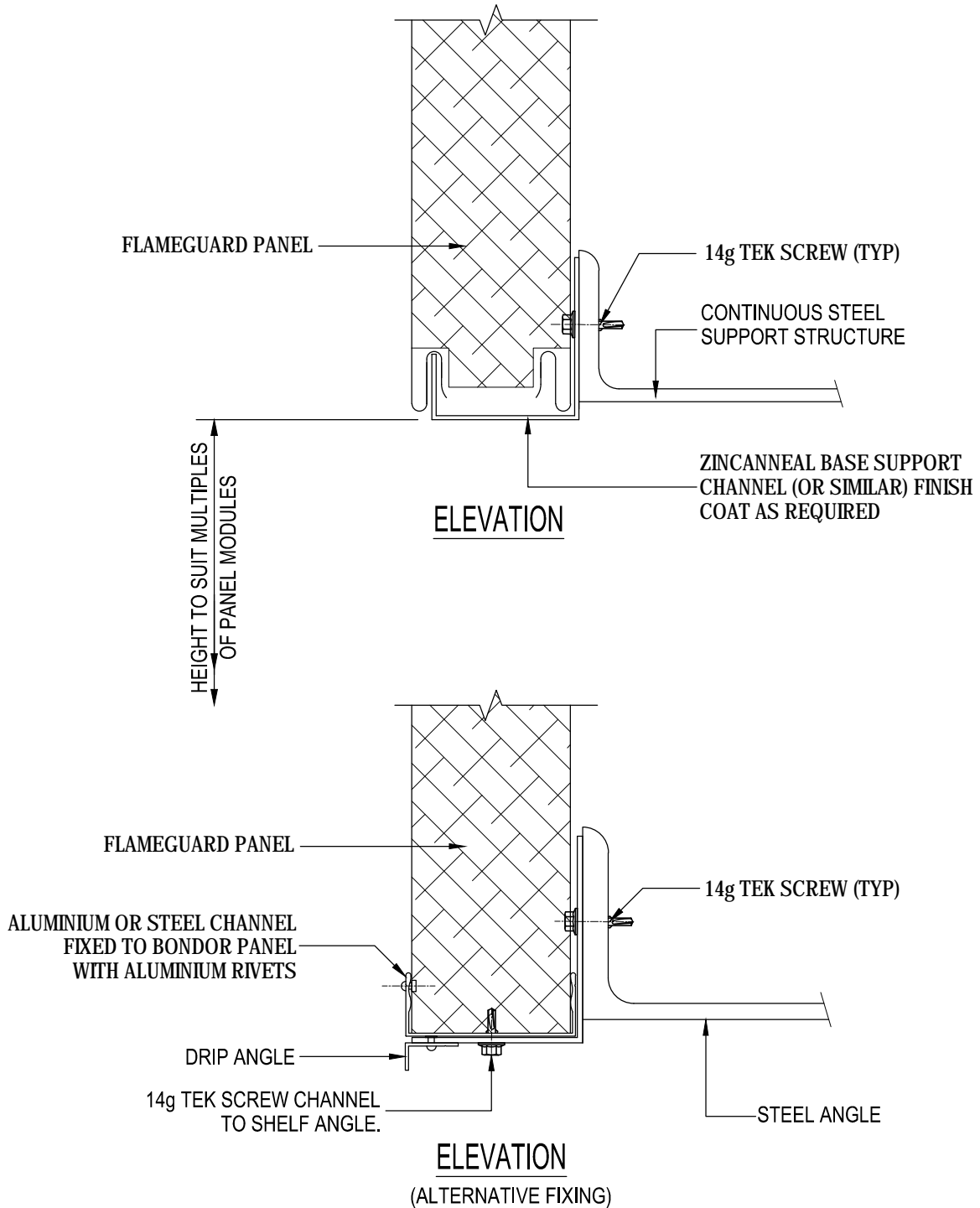


**Note:**

- It is recommended to engage your local Bondor® architectural specialist at design stage to ensure the panel system is designed to suit specific project requirements.
- All exposed core material is to be encapsulated with a non-combustible covering in order to achieve BAL ratings of up to BAL-40.
- Panels by Bondor®, screws may be by Bondor®, all other items by others.
- Additional construction details are available through the Bondor® Website Client Portal or by contacting a local Bondor® representative. [www.bondor.com.au](http://www.bondor.com.au)
- This drawing is copyright and the property of Metecno Pty Limited trading as Bondor®. It is subject to their legal recall and may not be reproduced or its contents divulged without written authority.

## Head Detail (over windows) - FLA01-OW08-1

### Horizontal Cladding



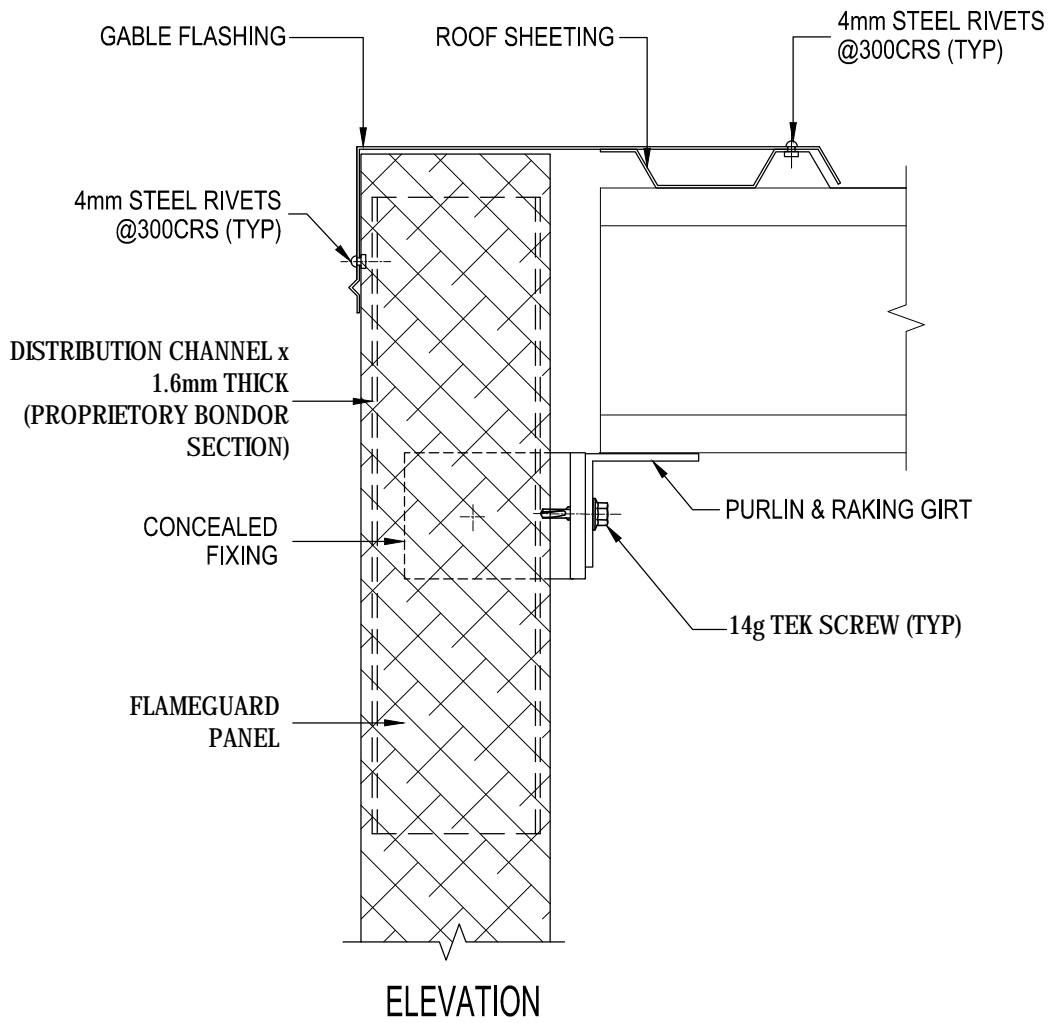
**Note:**

- It is recommended to engage your local Bondor® architectural specialist at design stage to ensure the panel system is designed to suit specific project requirements.
- All exposed core material is to be encapsulated with a non-combustible covering in order to achieve BAL ratings of up to BAL-40.
- Panels by Bondor®, screws may be by Bondor®, all other items by others.
- Additional construction details are available through the Bondor® Website Client Portal or by contacting a local Bondor® representative. [www.bondor.com.au](http://www.bondor.com.au)
- This drawing is copyright and the property of Metecno Pty Limited trading as Bondor®. It is subject to their legal recall and may not be reproduced or its contents divulged without written authority.



## External Wall Barge Detail 'A' - FLA01-0W011-1

### Horizontal Cladding

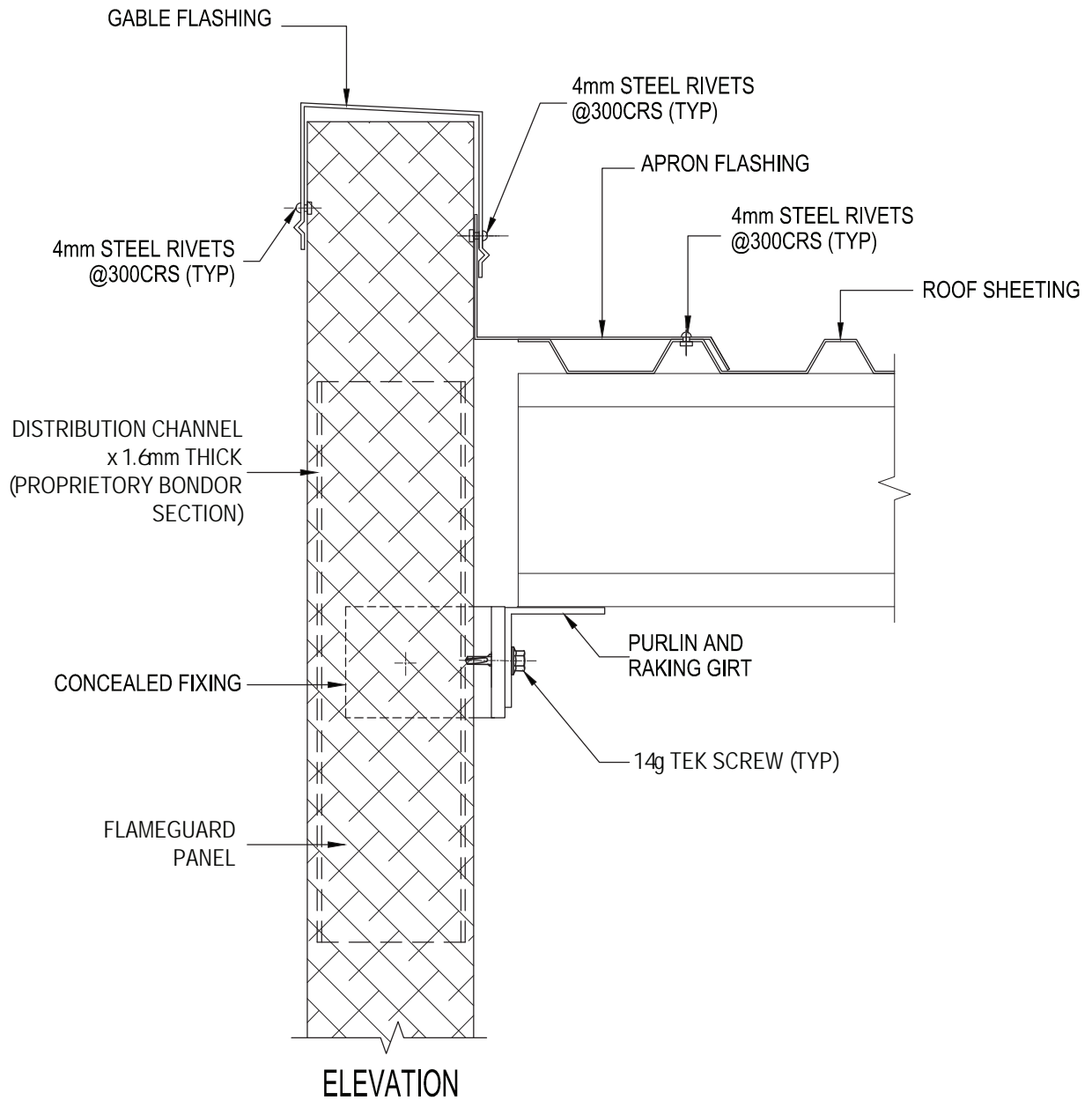


**Note:**

- It is recommended to engage your local Bondor® architectural specialist at design stage to ensure the panel system is designed to suit specific project requirements.
- All exposed core material is to be encapsulated with a non-combustible covering in order to achieve BAL ratings of up to BAL-40.
- Panels by Bondor®, screws may be by Bondor®, all other items by others.
- Additional construction details are available through the Bondor® Website Client Portal or by contacting a local Bondor® representative. [www.bondor.com.au](http://www.bondor.com.au)
- This drawing is copyright and the property of Metecno Pty Limited trading as Bondor®. It is subject to their legal recall and may not be reproduced or its contents divulged without written authority.

## External Wall Barge Detail 'B' - FLA01-OW012-1

### Vertical Cladding

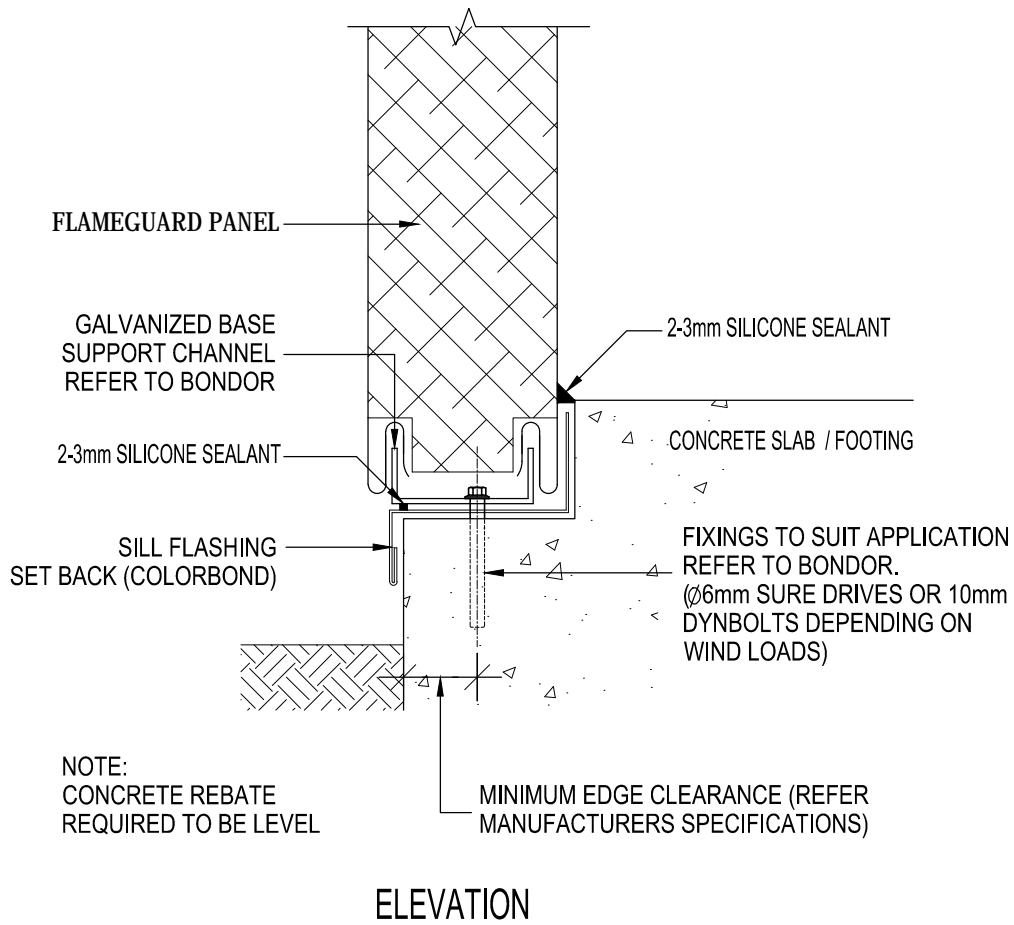


**Note:**

- It is recommended to engage your local Bondor® architectural specialist at design stage to ensure the panel system is designed to suit specific project requirements.
- All exposed core material is to be encapsulated with a non-combustible covering in order to achieve BAL ratings of up to BAL-40.
- Panels by Bondor®, screws may be by Bondor®, all other items by others.
- Additional construction details are available through the Bondor® Website Client Portal or by contacting a local Bondor® representative. [www.bondor.com.au](http://www.bondor.com.au)
- This drawing is copyright and the property of Metecno Pty Limited trading as Bondor®. It is subject to their legal recall and may not be reproduced or its contents divulged without written authority.

## Base Detail 'A' - FLA01-WF01-1

### Horizontal Cladding

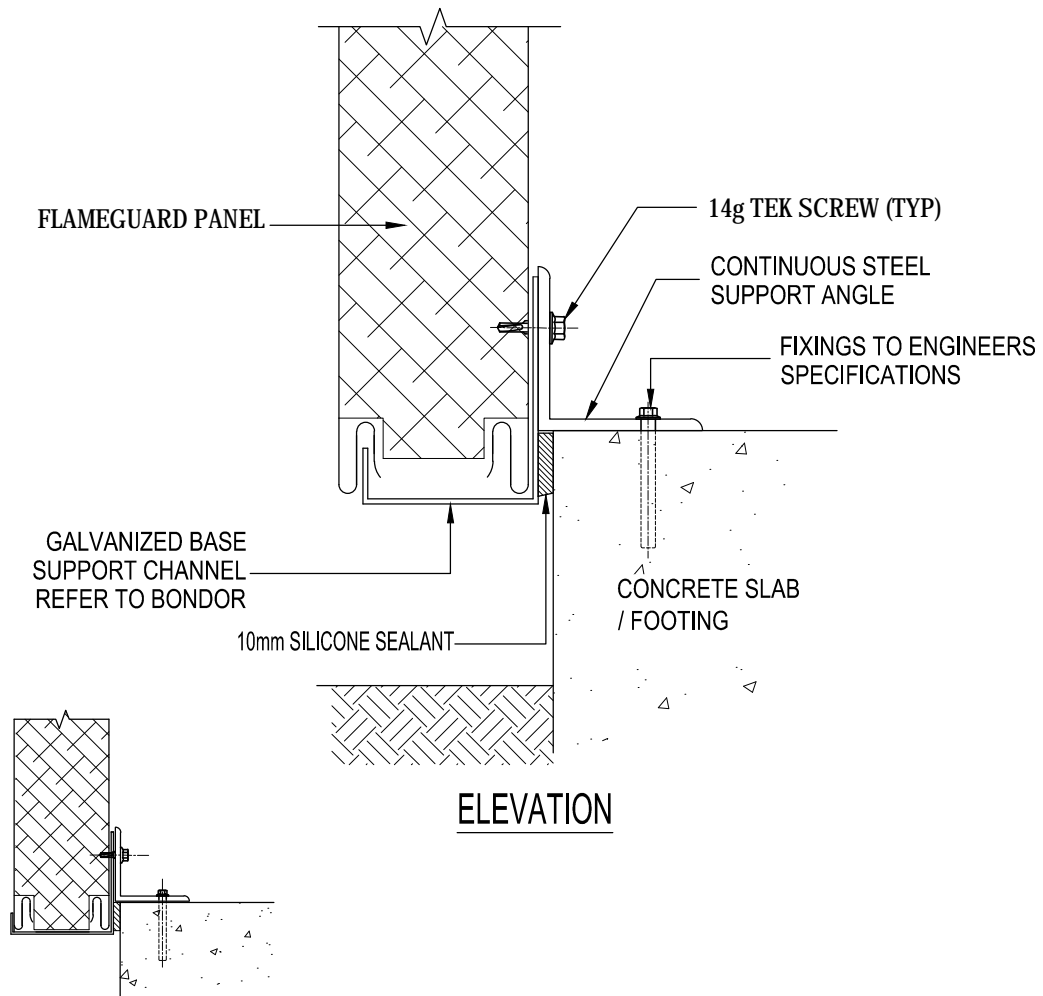


**Note:**

- It is recommended to engage your local Bondor® architectural specialist at design stage to ensure the panel system is designed to suit specific project requirements.
- All exposed core material is to be encapsulated with a non-combustible covering in order to achieve BAL ratings of up to BAL-40.
- Panels by Bondor®, screws may be by Bondor®, all other items by others.
- Additional construction details are available through the Bondor® Website Client Portal or by contacting a local Bondor® representative. [www.bondor.com.au](http://www.bondor.com.au)
- This drawing is copyright and the property of Metecno Pty Limited trading as Bondor®. It is subject to their legal recall and may not be reproduced or its contents divulged without written authority.

## Base Detail 'B' - FLA01-WF02-1

### Horizontal Cladding



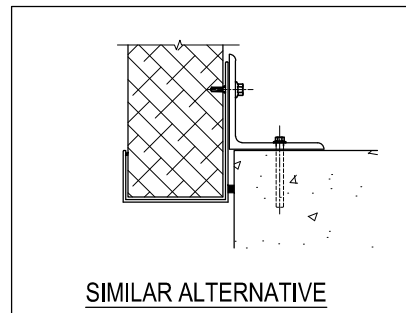
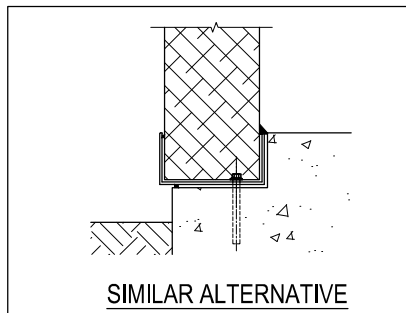
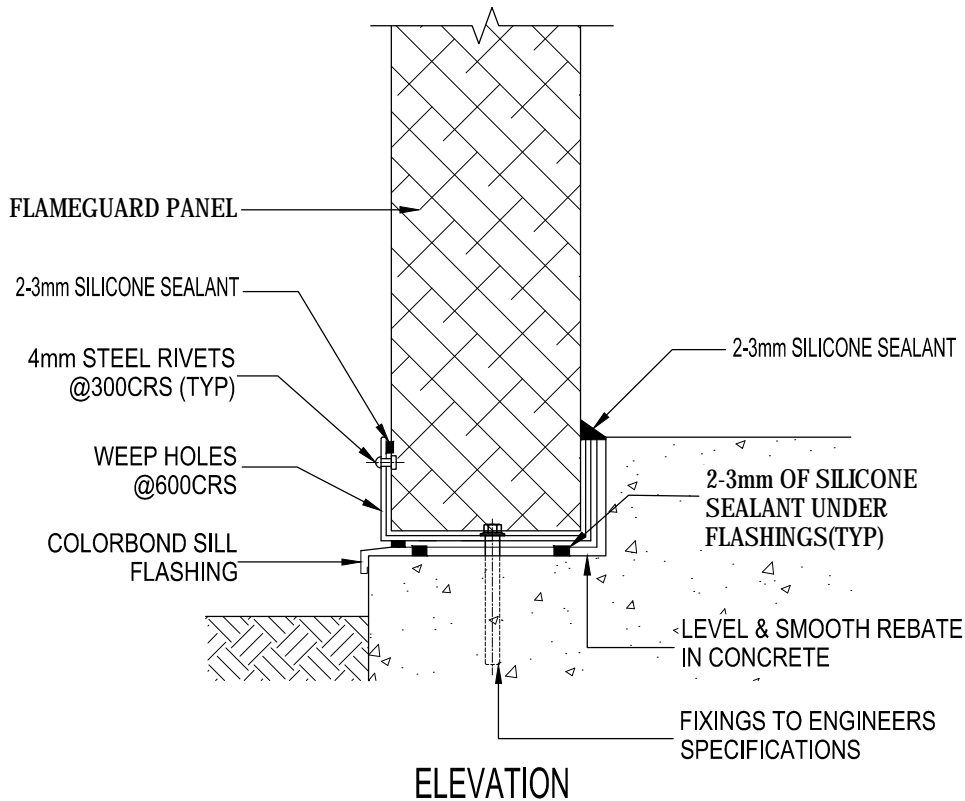
ALTERNATIVE WITH  
EXTERNAL BASE CAP.

Note:

- It is recommended to engage your local Bondor® architectural specialist at design stage to ensure the panel system is designed to suit specific project requirements.
- All exposed core material is to be encapsulated with a non-combustible covering in order to achieve BAL ratings of up to BAL-40.
- Panels by Bondor®, screws may be by Bondor®, all other items by others.
- Additional construction details are available through the Bondor® Website Client Portal or by contacting a local Bondor® representative. [www.bondor.com.au](http://www.bondor.com.au)
- This drawing is copyright and the property of Metecno Pty Limited trading as Bondor®. It is subject to their legal recall and may not be reproduced or its contents divulged without written authority.

## Base Detail 'D' - FLA01-WF04-1

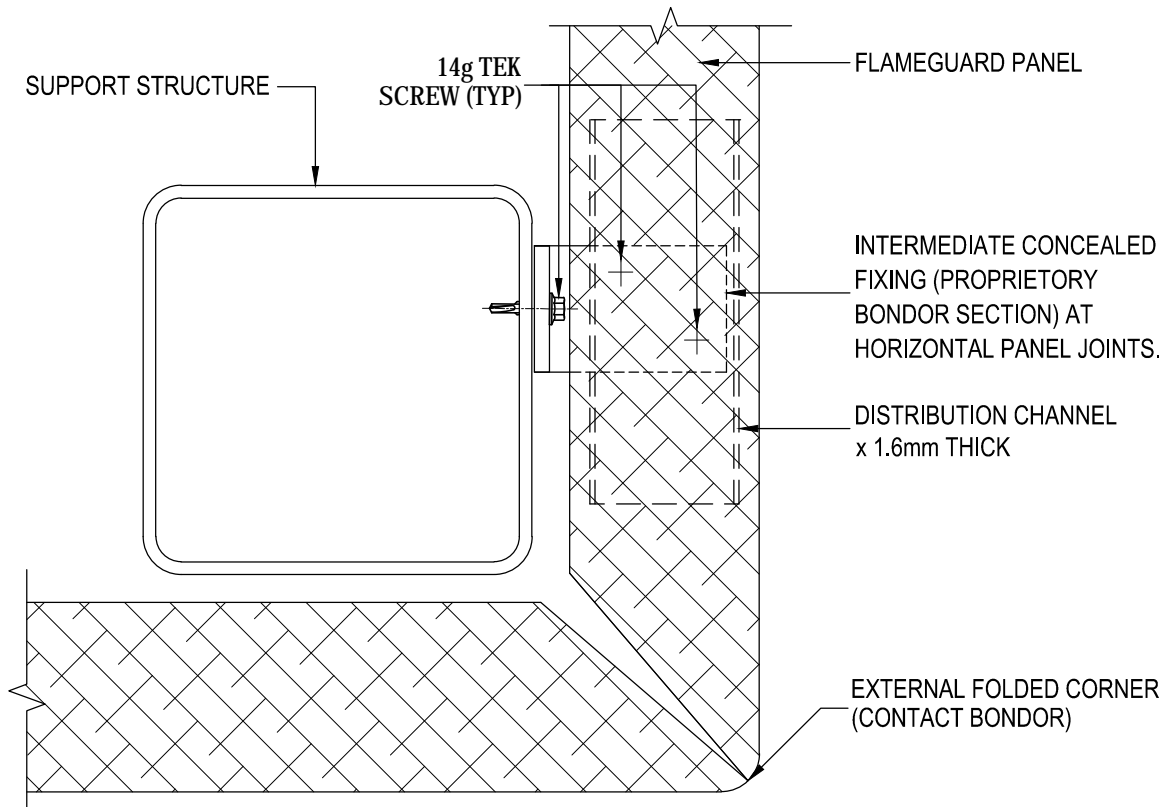
### Horizontal Cladding



- Note:
- It is recommended to engage your local Bondor® architectural specialist at design stage to ensure the panel system is designed to suit specific project requirements.
  - All exposed core material is to be encapsulated with a non-combustible covering in order to achieve BAL ratings of up to BAL-40.
  - Panels by Bondor®, screws may be by Bondor®, all other items by others.
  - Additional construction details are available through the Bondor® Website Client Portal or by contacting a local Bondor® representative. [www.bondor.com.au](http://www.bondor.com.au)
  - This drawing is copyright and the property of Metecno Pty Limited trading as Bondor®. It is subject to their legal recall and may not be reproduced or its contents divulged without written authority.

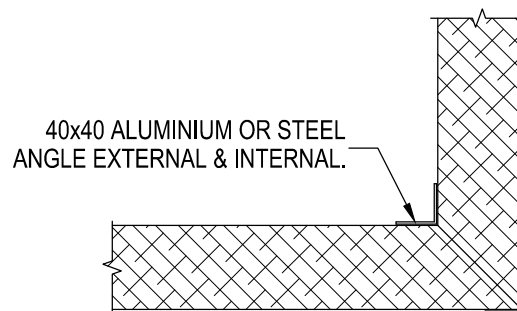
## External Corner - FLA01-WW01-1

### Horizontal Cladding



NOTE:  
2-3mm SILICONE SEALANT TO  
BE APPLIED IN JOINTS ON ALL  
EXTERNAL SKIN

### PLAN



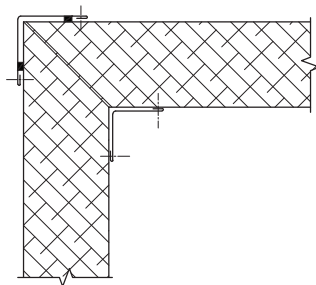
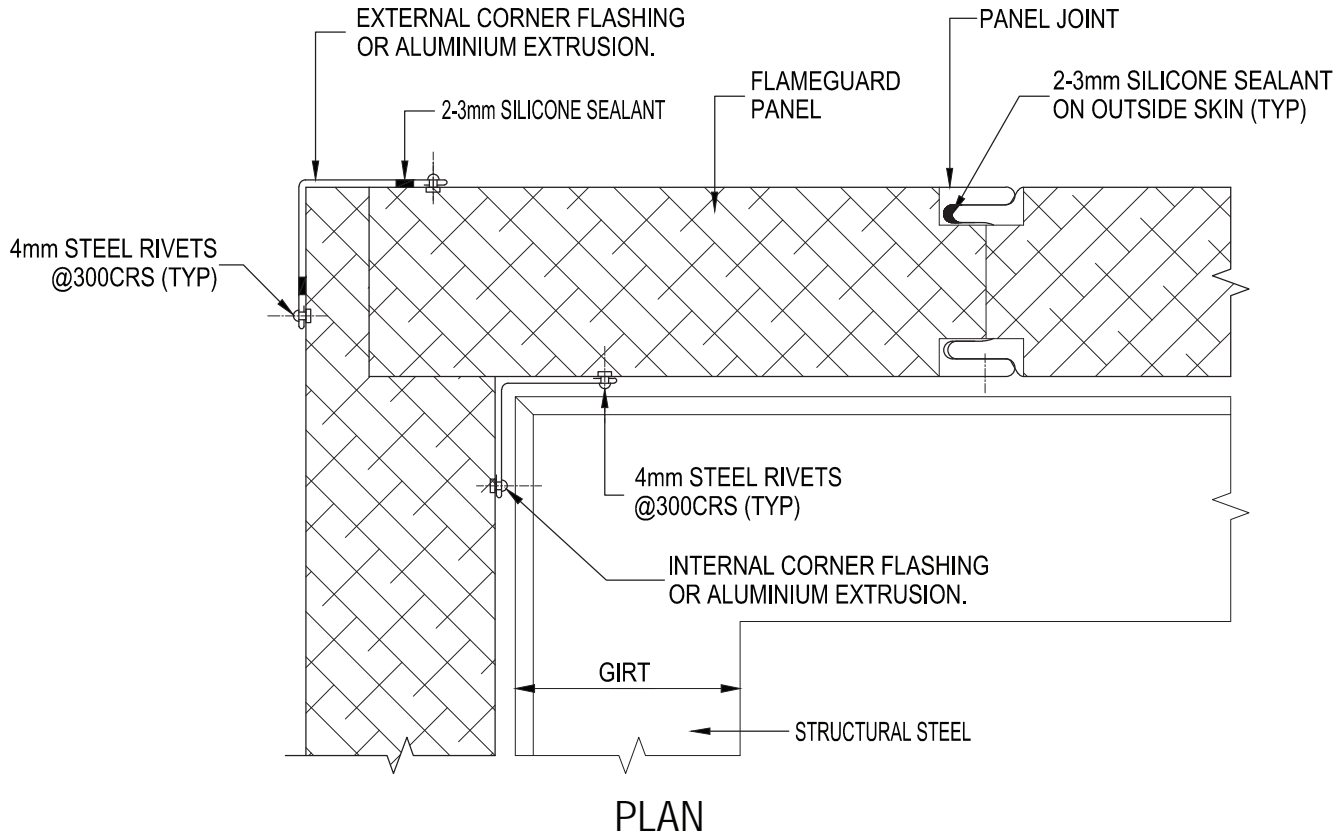
### ALTERNATIVE CORNER DETAIL

Note:

- It is recommended to engage your local Bondor® architectural specialist at design stage to ensure the panel system is designed to suit specific project requirements.
- All exposed core material is to be encapsulated with a non-combustible covering in order to achieve BAL ratings of up to BAL-40.
- Panels by Bondor®, screws may be by Bondor®, all other items by others.
- Additional construction details are available through the Bondor® Website Client Portal or by contacting a local Bondor® representative. [www.bondor.com.au](http://www.bondor.com.au)
- This drawing is copyright and the property of Metecno Pty Limited trading as Bondor®. It is subject to their legal recall and may not be reproduced or its contents divulged without written authority.

## Typical External Corner - FLA01-WW02-1

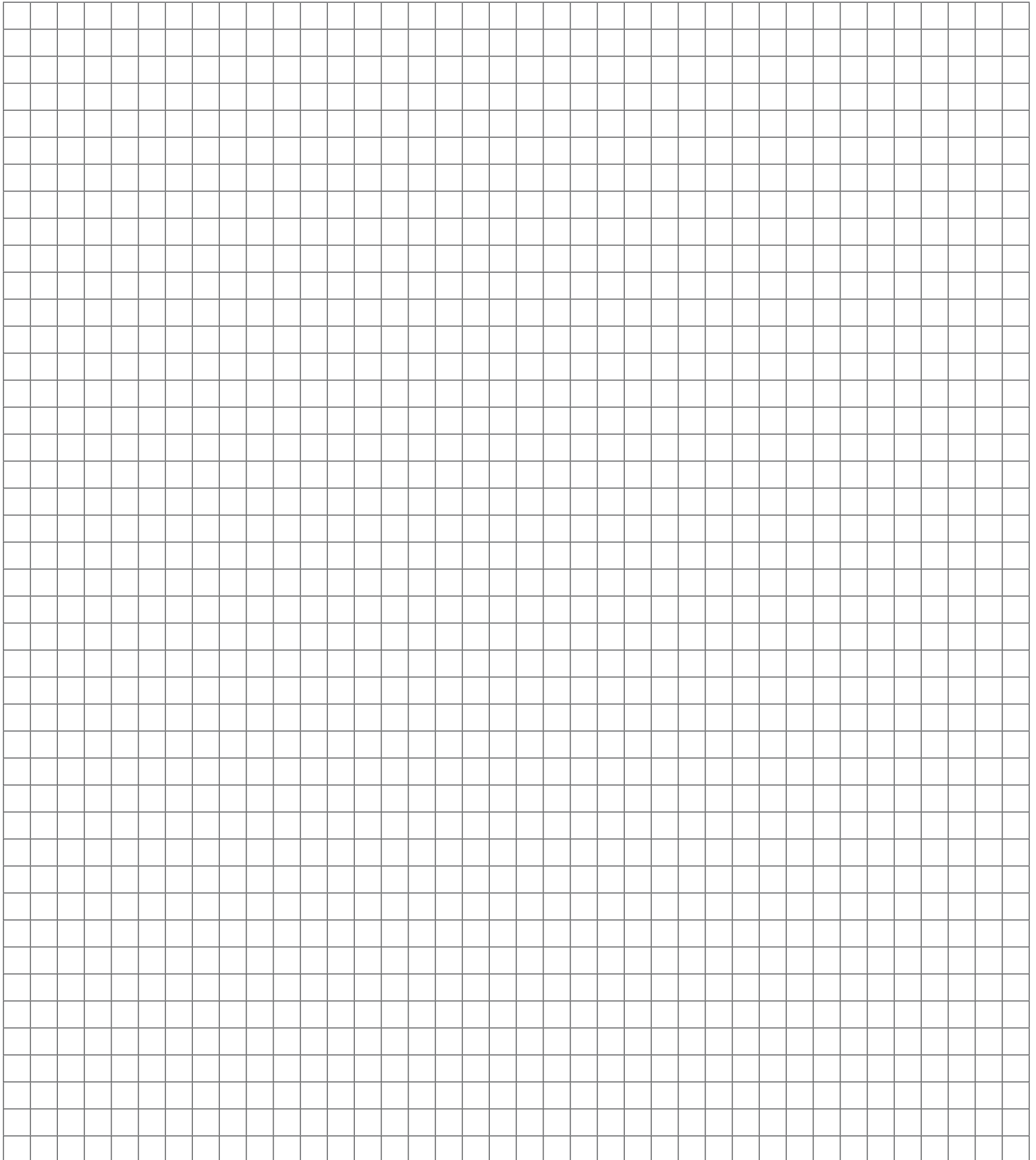
### Vertical Cladding



ALTERNATIVE WITH EXTERNAL  
45 Deg MITRE.

**Note:**

- It is recommended to engage your local Bondor® architectural specialist at design stage to ensure the panel system is designed to suit specific project requirements.
- All exposed core material is to be encapsulated with a non-combustible covering in order to achieve BAL ratings of up to BAL-40.
- Panels by Bondor®, screws may be by Bondor®, all other items by others.
- Additional construction details are available through the Bondor® Website Client Portal or by contacting a local Bondor® representative. [www.bondor.com.au](http://www.bondor.com.au)
- This drawing is copyright and the property of Metecno Pty Limited trading as Bondor®. It is subject to their legal recall and may not be reproduced or its contents divulged without written authority.



- Note:
- It is recommended to engage your local Bondor® architectural specialist at design stage to ensure the panel system is designed to suit specific project requirements.
  - All exposed core material is to be encapsulated with a non-combustible covering in order to achieve BAL ratings of up to BAL-FZ.
  - Panel by Bondor®, screws may be by Bondor®, all other items by others.
  - Additional construction details are available through the Bondor® Website Client Portal or by contacting a local Bondor® representative. [www.bondor.com.au](http://www.bondor.com.au)
  - This drawing is copyright and the property of Metecno Pty Limited trading as Bondor®. It is subject to their legal recall and may not be reproduced or its contents divulged without written authority.





Leaders in Thermal & Architectural Building Solutions

[www.bondor.com.au](http://www.bondor.com.au)

1300 300 099

**BRISBANE/EXPORT**

103 Ingram Road Acacia Ridge QLD 4110  
Ph: (07) 3323 8500 Fax: (07) 3323 8501

**ADELAIDE**

70-72 Rundle Road Salisbury South SA 5106  
Ph: (08) 8282 5000 Fax: (08) 8282 5099

**LAUNCESTON**

7 Connector Park Drive Kings Meadows TAS 7249  
Ph: (03) 6335 8500 Fax: (03) 6335 8544

**PERTH**

17 Gauge Circuit Canning Vale WA 6155  
Ph: (08) 9256 0600 Fax: (08) 9256 0620

**MELBOURNE**

329A St Albans Road Sunshine VIC 3020  
Ph: (03) 8326 8000 Fax: (03) 8326 8099

**SYDNEY**

49-53 Newton Road Wetherill Park NSW 2164  
Ph: (02) 9609 0888 Fax: (02) 9729 1114

\*\* Limited availability. ^ Darker colours warranted for use in limited regions. Metecno Pty Limited. ABN 44 096 402 934. The manufacturer reserves the right to change the specification without notice. Bondor®, LuxeWall®, MetecnoInspire®, Equitilt®, BondorPanel®, FlameGuard®, MetecnoPanel®, EconoClad®, MetecnoKasset®, InsulWall®, LuxeWall®, DesignerWall®, SolarSpan®, InsulRoof®, MetecnoSpan®, Purline®, Equideck®, InsulLiving®, EconoClad®, Metecno are trademarks of Metecno Pty Limited. BlueScope, Colorbond®, Permagard® and colour names are trademarks of BlueScope Steel Limited. Microban® is a registered trade mark of the Microban Products Company. The colours shown in this publication have been reproduced to represent actual product colours as accurately as possible. However, given printing limitations, we recommend checking your chosen colour against an actual sample before placing orders. This advice is of a general nature only. Designers must provide for adequate structural performance and other Building Code requirements. This information is subject to change. Refer to Bondor® website for latest version. Consult Bondor® for your application. Drawing Pack - Flameguard v2 16/06/2020